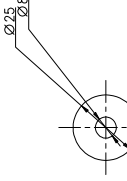
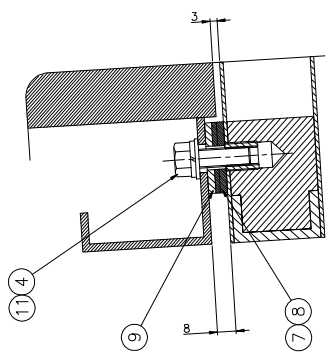
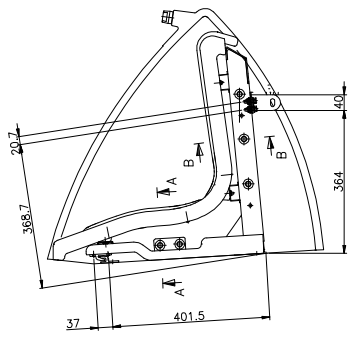


2

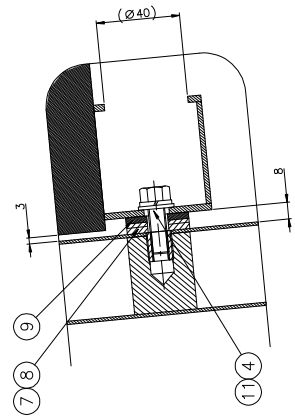
DETAIL 1.1



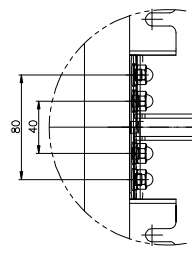
DETAIL #7.8.9  
(SCALE=1/1)



SECTION A-A  
(SCALE=1/2)



SECTION B-B  
(SCALE=1/2)



DETAIL C  
(SCALE=1/2)

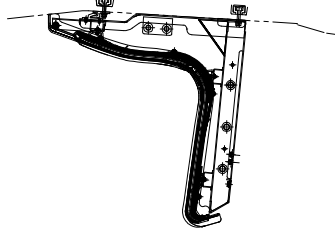
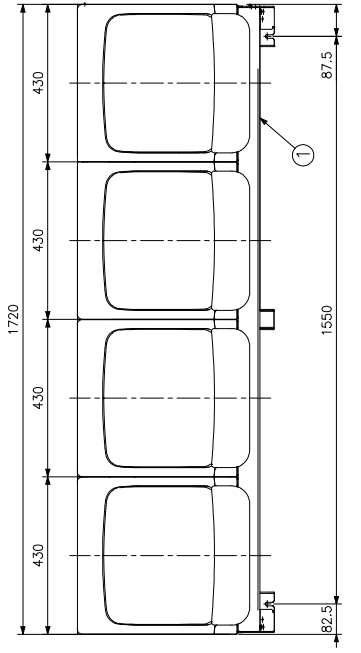
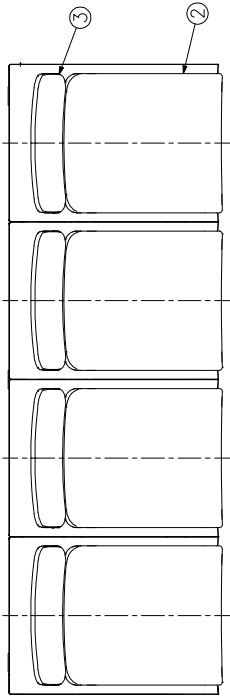
ASSY NO.	NO.1	NO.2	NO.3	NO.10	QTY	REMARK
FPF13417-300	1	1	1	-	1	AS DRAWN
FPF13417-301	-	1	1	1	1	OPP. HAND DRAWN

ITEM NO.	DESCRIPTION	MATERIAL	QTY	REMARKS
11	WASHER, SPECIAL	STS304	10	
10	MODULE SEAT ASSY MIDDLE LH	FPF13420-301	5	SEE TABLE
9	PACKING	ASSY	5	13
8	LINER	STS304	5	13
7	LINER	STS304	5	12
4	BOLT, Hexagon Head	STS304	5	MAXCOL
3	BULKHEAD, RH	FPF13421-301	5	SEE TABLE
2	BULKHEAD, LH	FPF13421-300	5	SEE TABLE
1	MODULE SEAT ASSY MIDDLE RH	FPF13420-300	5	SEE TABLE
ITEM NO. DESCRIPTION MATERIAL QTY REMARKS 500 카시트의 좌석 (MIDDLE) TITLE ASSEMBLY SEAT MIDDLE				500 # RRS-A-00-RS-WF-2002-0A DWG NO.
BP	REV	DATE	3/20	
DRW	DESIGN	DATE		
CHK	DRW	DATE		
REV	WEIGHT			
REV	NO.			
FPF13417 # OF ANGLE 3 각 볼트				

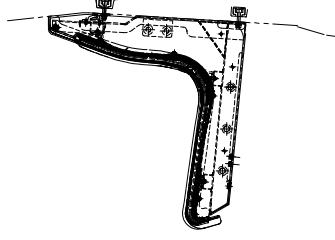
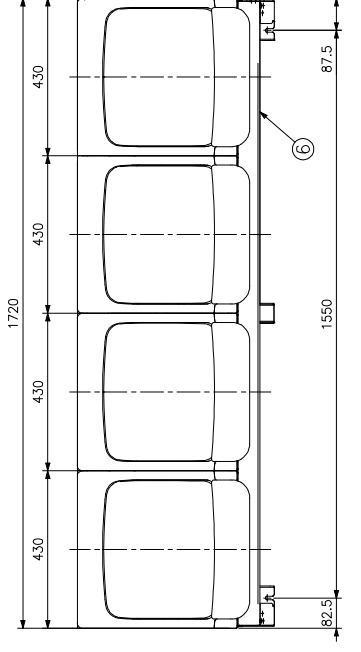
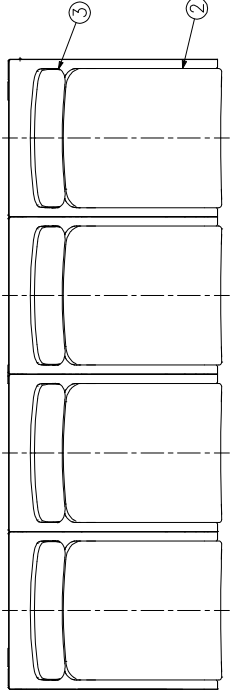




TYPE 1



TYPE 3



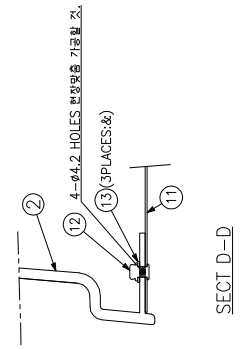
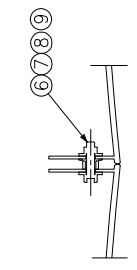
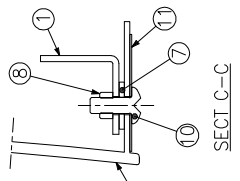
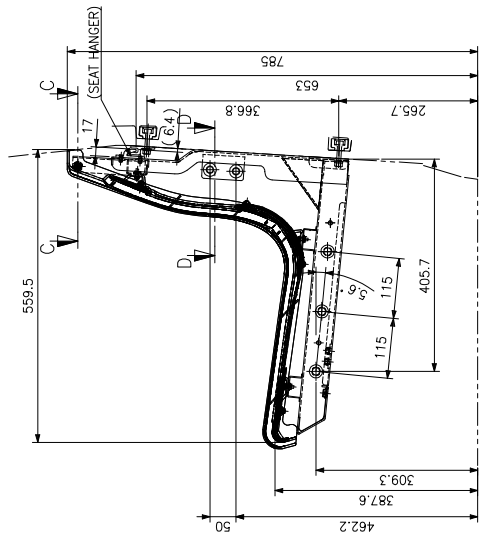
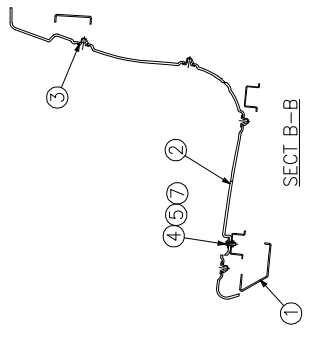
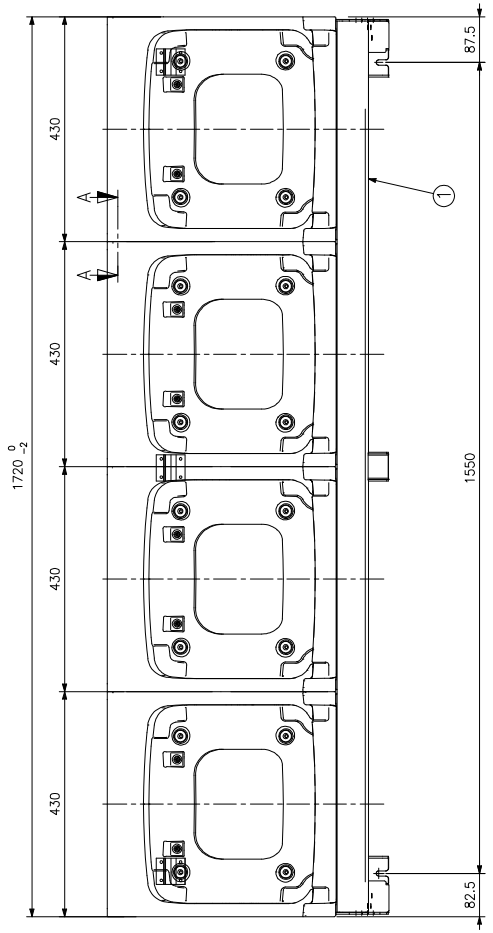
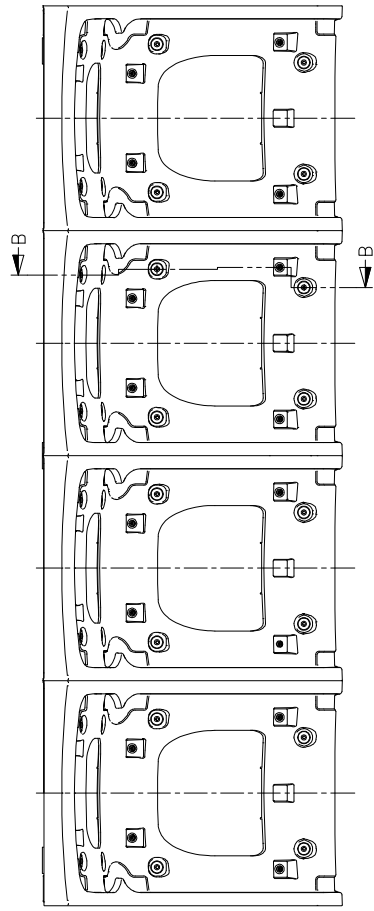
ASSY. NO.	REMARK
FPF15050-300	AS DRAWN
FPF15050-301	OPP. HAND DRAWN

NOTE.  
 1. 카바저는 별도 승인된 사양에 의한 것.  
 2. 외관 색상 및 사양은 별도 승인된 사양에 의한 것.  
 3. 별도 R/이더 내는 이와 대당함.

ITEM No.	DESCRIPTION	UNIT	QTY	REMARKS
6	SEAT BASE ASSY TYPE 3	ASSY	FPF15035-300	1
3	SEAT CUSH	ASSY	FPF15063	4
2	SEAT BACK	ASSY	FPF15062	4
1	SEAT BASE ASSY TYPE 1	ASSY	FPF15061-300	1
TITLE PASSENGER SEAT ASSEMBLY SCALE 1/8 DRAWN DATE DESIGN DATE CHECK DATE APPROVED DATE DRAWN BY DESIGNER CHECKER APPROVED BY				
<b>BGL 부산-김해공항주식회사</b> 부산-김해공항주식회사 3차 빌				







NOTE.  
 1. 본도는 나사머리 R는 이의 대칭임.  
 2. 품번 (4) (6) 은 LOCTITE(충고정용) 도포후 체결할 것.

ASSY NO.	REMARK
PPP15335-300	AS DRAWN
PPP15335-301	OPP. HAND DRAWN

13	PAIR WASHER	STS304	PPP15335-013	3	MM
12	BUNG RIVET	AL	PPP15335-012	4	Ø4X20
11	SHIE COVER	SPCC	PPP15335-011	1	10.8
10	TH SCREW	STS304	PPP15335-010	2	M6X14
9	FLANGE NUT	SM20	PPP15335-009	3	M10X8
8	HEX NUT	SS400	PPP15335-008	5	M6
7	PAIR WASHER	STS304	PPP15335-007	32	Ø16X6.5AT
6	SOCKET BOLT	SM50C	PPP15335-006	3	M6X25
5	5/8 WASHER	STS304	PPP15335-005	24	M6
4	TH SCREW (C-S&MS)	STS304	PPP15335-004	24	M6X16
3	FASTNER	URETHAN	PPP15335-003	32	
2	MAIN PANEL	P.C	PPP15335-002	4	
1	BASE FRM	ASSY	PPP15335-001	1	

REV. NO. 01  
 DATE 2008.04.18  
 DESIGNED BY  
 DRAWN BY  
 CHECKED BY  
 APPROVED BY  
 TITLE SEAT BASE ASSEMBLY TYPE 3  
 DWG. NO. RRS-A-00-RS-NG-2008-04  
 SHEET NO. 1/8  
 WEIGHT  
 PART NO. PPP15335  
 PART ANGLE 3각형  
**BGL** 부산-김정현주필  
 PP-188